

FIREMANS LIFT PRESS DUCT PASSED FROM H/L OFFICE INTO LIFT MOTOR ROOM & CONNECT TO BUILDERSWORK SHAFT

03

04

05

06

07

08

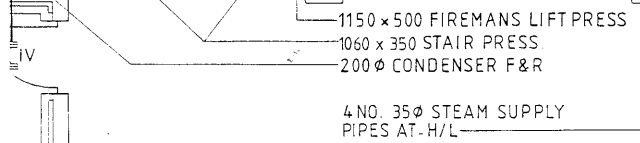
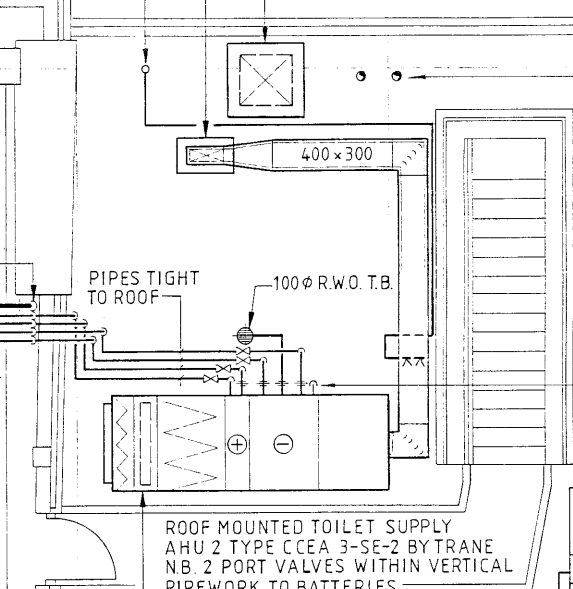
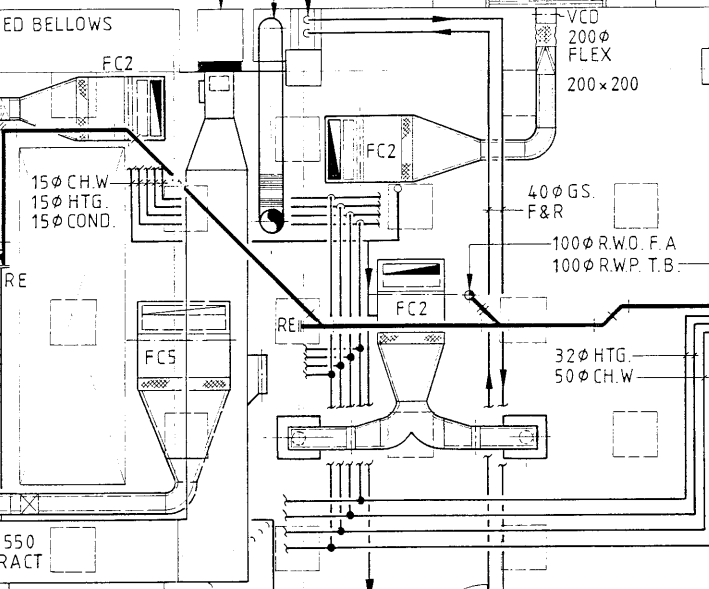
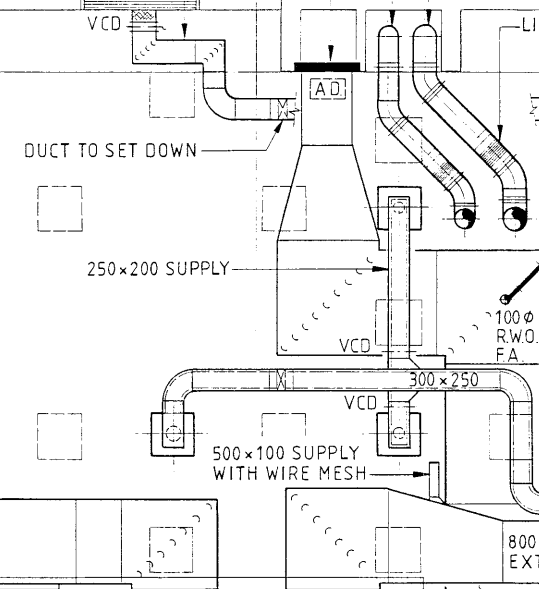
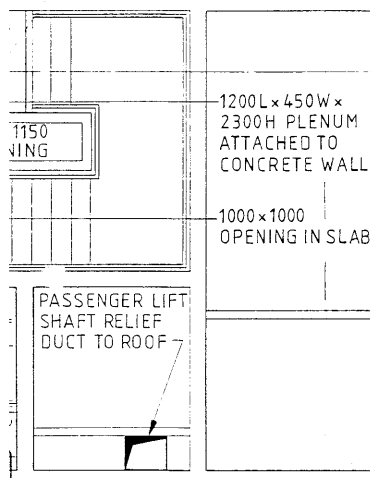
WVP AT H.L.
100φ
φ PLUGGED
UCT

300 I.D. GENERATOR FLUE F.B. WITH OFFSET AND RISE T.A.
250 I.D. BOILER FLUE F.B. WITH OFFSET AND RISE T.A.
700x750 SUPPLY WITH F.D. AND A.D.
300x100 SUPPLY

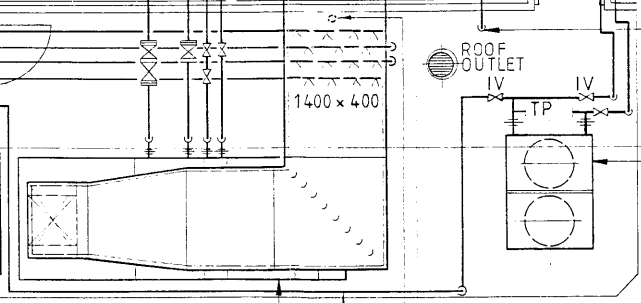
400x900 EXTRACT DUCT WITH F.D. AND A.D.
300 I.D. EMERGENCY GENERATOR FLUE F.B. OFFSETS AT H.L. AND RISES T.A.
40φ GS. F&R F.B.

35φ STEAM DISCHARGE PIPE F.B. AND RUN AT L/L.

2 NO. 100φ SVPS F.B. TERMINATING 300mm ABOVE PARAPET WITH WIRE BALLOON
500x250 TOILET SUPPLY T/B
TOILET EXTRACT ROOF MOUNTED REF. TX1 TYPE BSC 500 BY WOOD



1500x1600 DEEP EXHAUST INLET LOUVRE AT H.L.



22φ COND. DRAIN TO DISCHARGE INTO OPEN AREA.

GENERATOR DRY AIR COOLER TYPE LML-125-1400H BY SYSTEM UVEX LTD DIRECT TO PLINTHS

FOR DETAILS OF SERVICES WITHIN HVAC PLANT ROOM

ROOF MOUNTED SUPPLY AIR HANDLING UNIT TYPE CCEA-3-SF-65 BY TRANE LTD